

Installation Instructions

D001102029



CE	Abloy Oy PO Box 108 80101 Joensuu Finland			20
DC175	EN 1154:1996/A1:2002/AC:2006 1121-CPR-AD5474	3	8	4
		3	8	3

Dangerous substances: None

B	
EN3	≤ 950mm
EN4	≤ 1100mm

DIN L1/R1

Max. 165° EN3
Max. 157° EN4

DIN L2/R2

Max. 165° EN3
Max. 157° EN4

DIN L3/R3

Max. 180° EN3
Max. 120° EN4

DIN L4/R4

Max. 117° EN3
Max. 93° EN4

1x

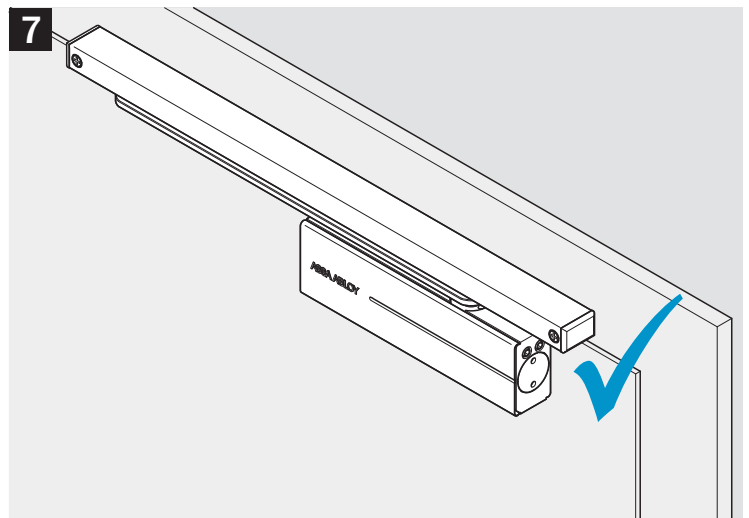
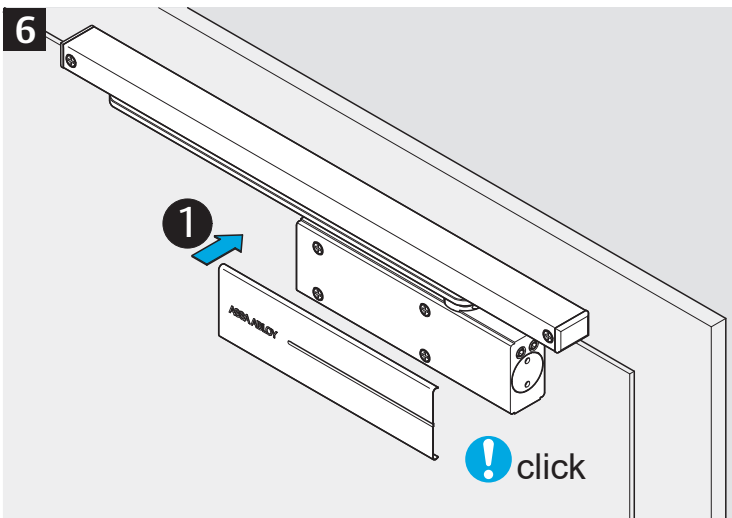
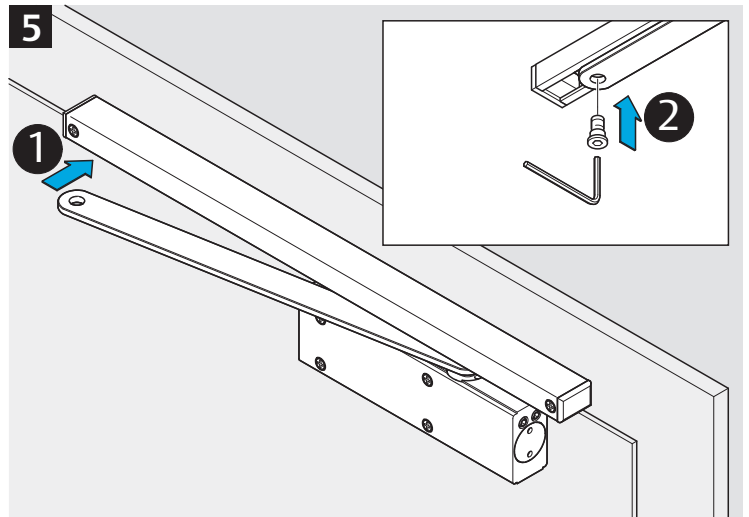
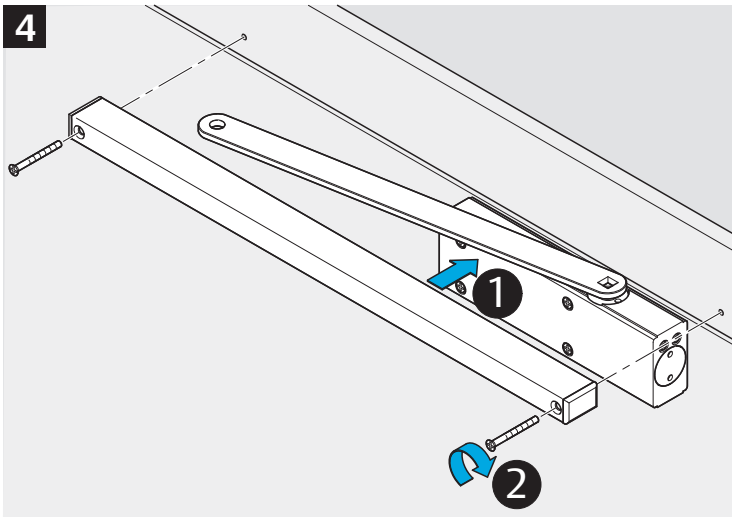
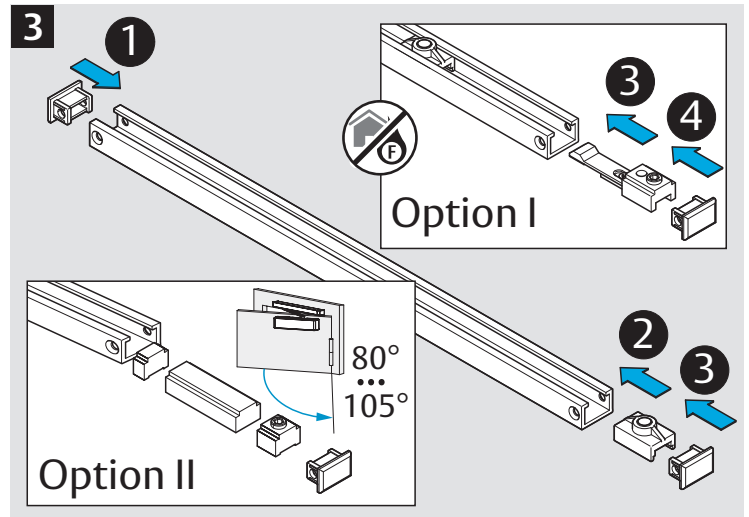
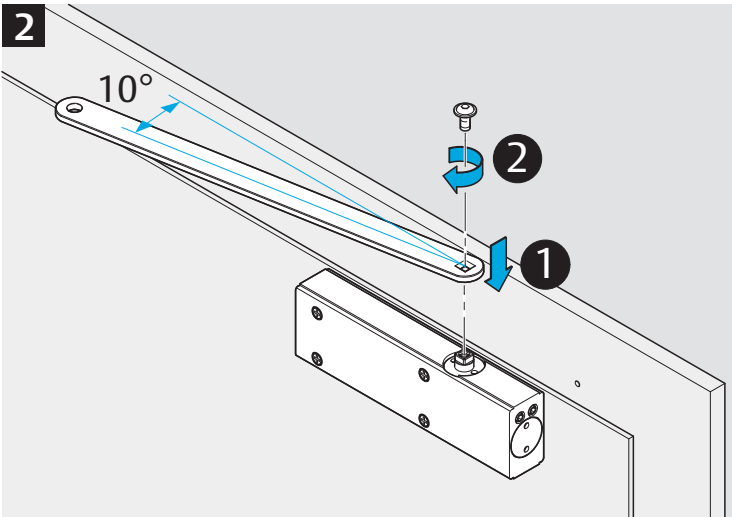
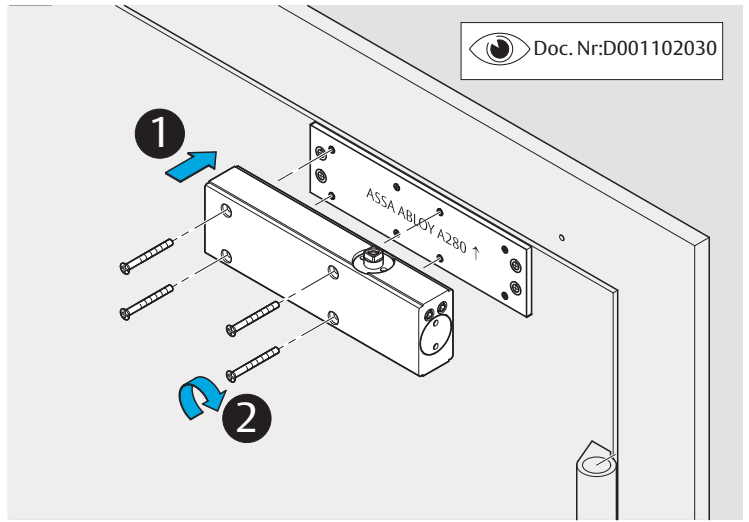
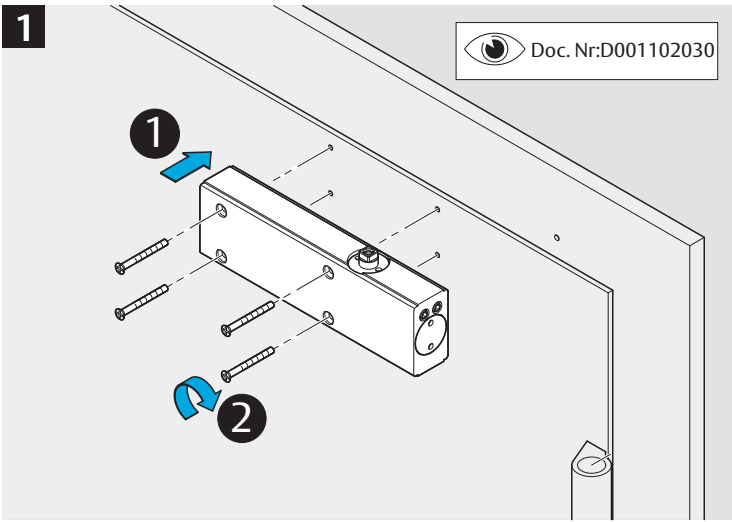
- 1x [Bracket]
- 1x [Screw]
- 1x [Bracket]
- 2x [Bracket]
- 1x [Bracket]
- 2x [Screw]
- 2x [Screw]
- 1x [Bracket]

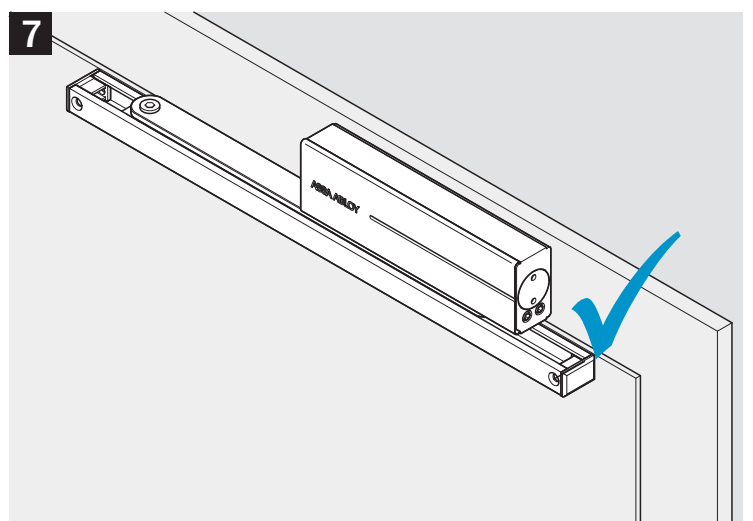
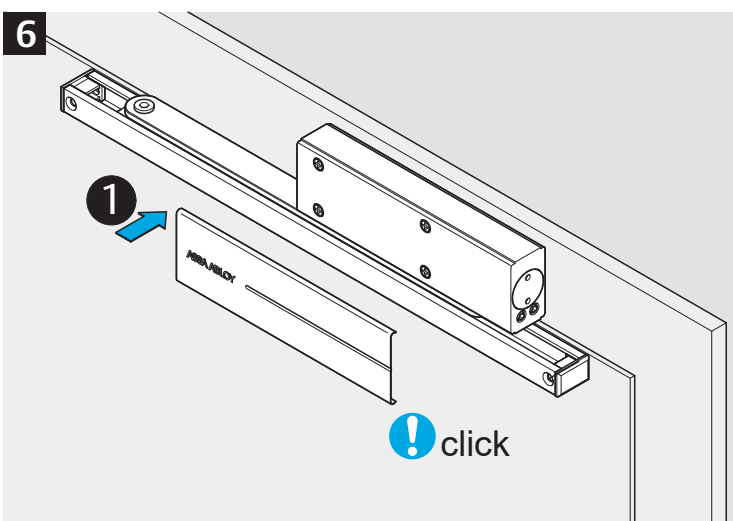
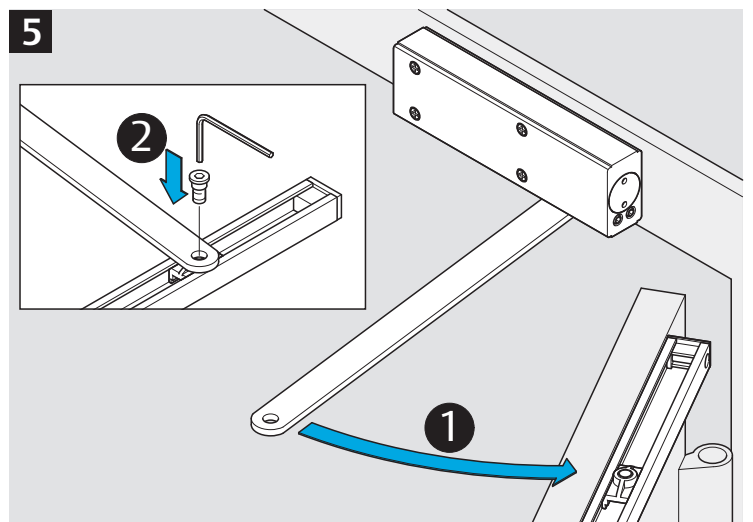
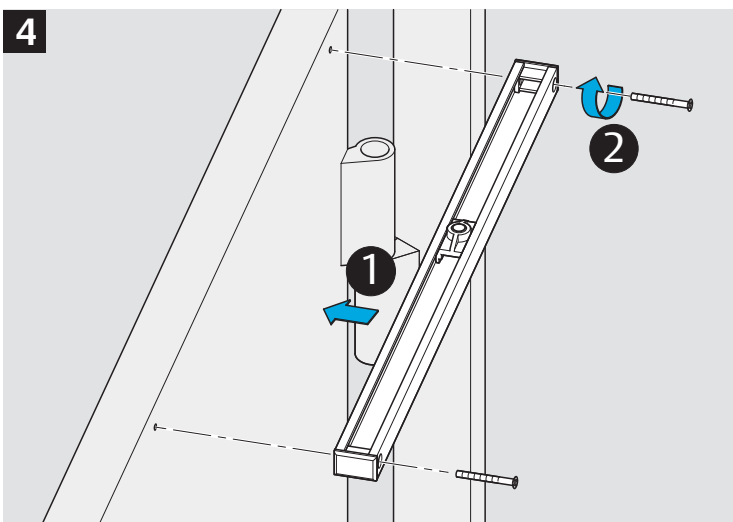
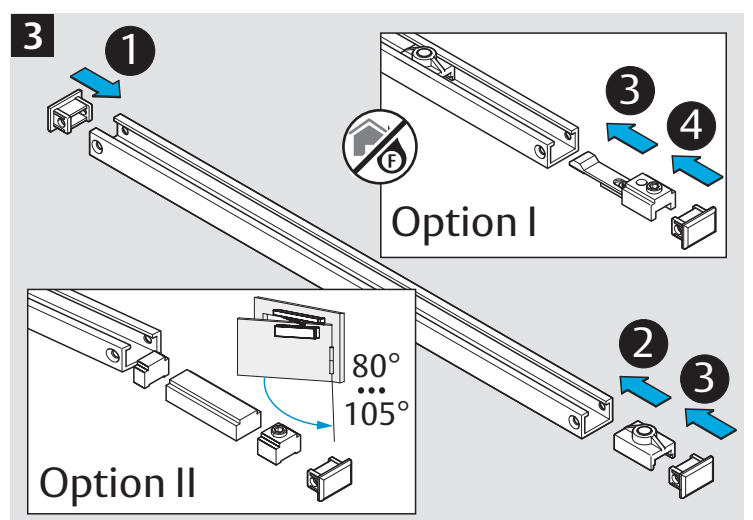
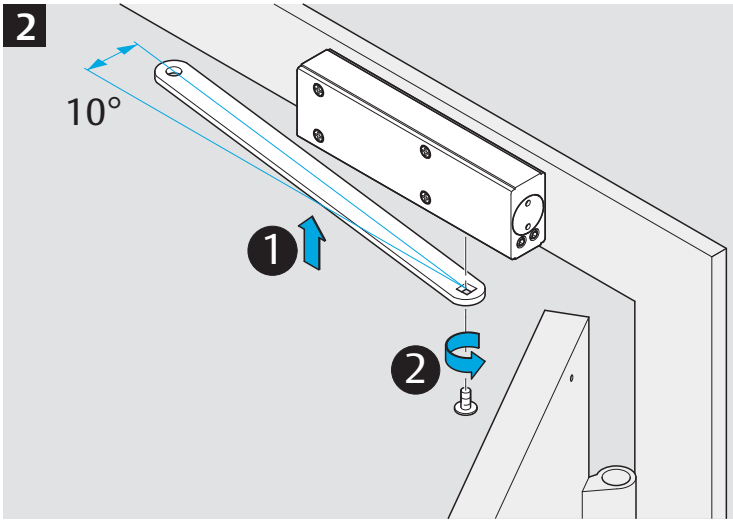
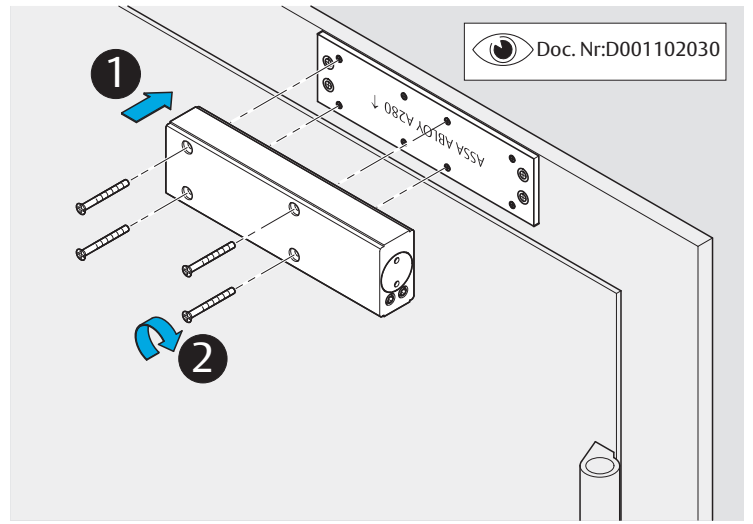
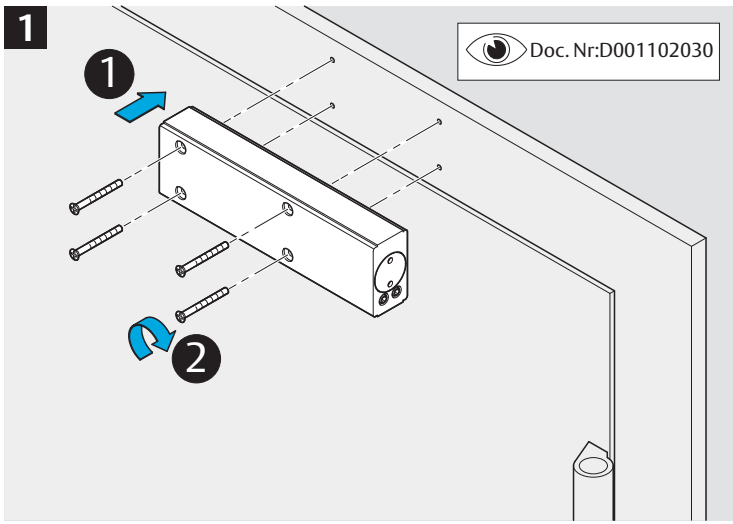
- 4x [Screw]
- 4x [Screw]
- 1x [Bracket]
- 1x [Bracket]

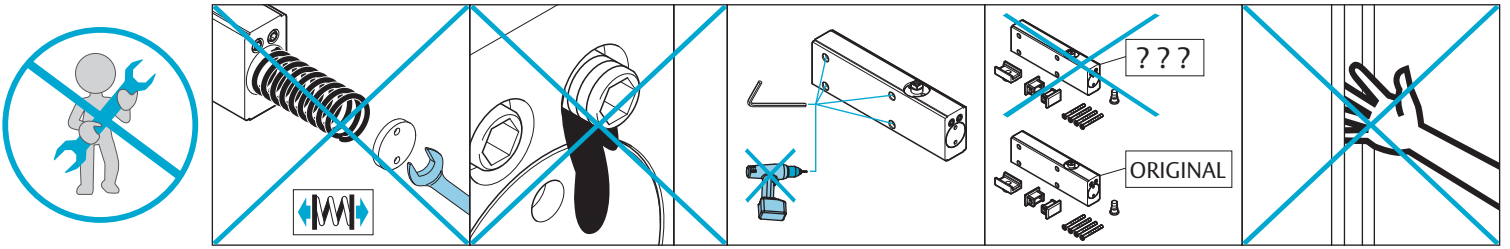
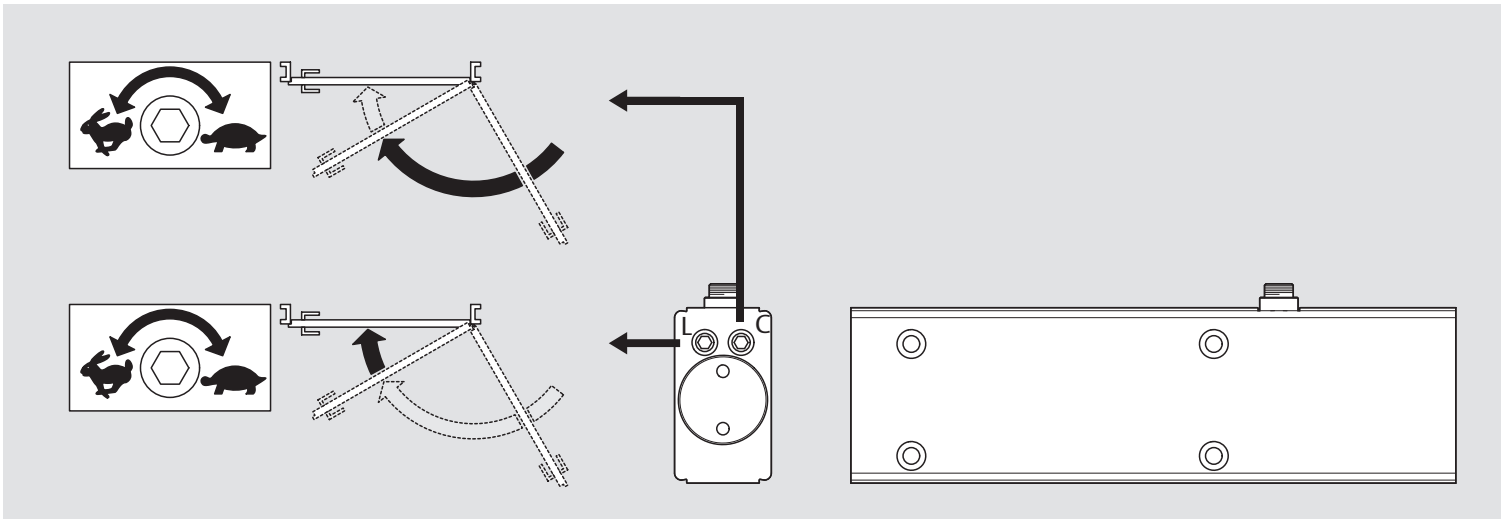
Option

DCA280

DCA179 **DCA178**







ASSA ABLOY South Africa
 176 Progress Road
 Roodeport,
 Johannesburg

011 761 5000
www.assaabloyopeningsolutions.co.za

ASSA ABLOY